

### Overview

IPVision's Parapet Mount is designed to be used on structure, wall or roof top parapets, features a pendent mount 1 1/2" pipe thread with 24 inch reach. Also features an access plug on the end for wire pulls, allowing for more flexibility in mounting.

### Key Features

- 1 1/2 inch pipe thread
- 50 lb. load rating
- All aluminum construction
- Epoxy painted per Mil-P-53022-Type 1
- Adjustable in 45 degree increments

### Applications

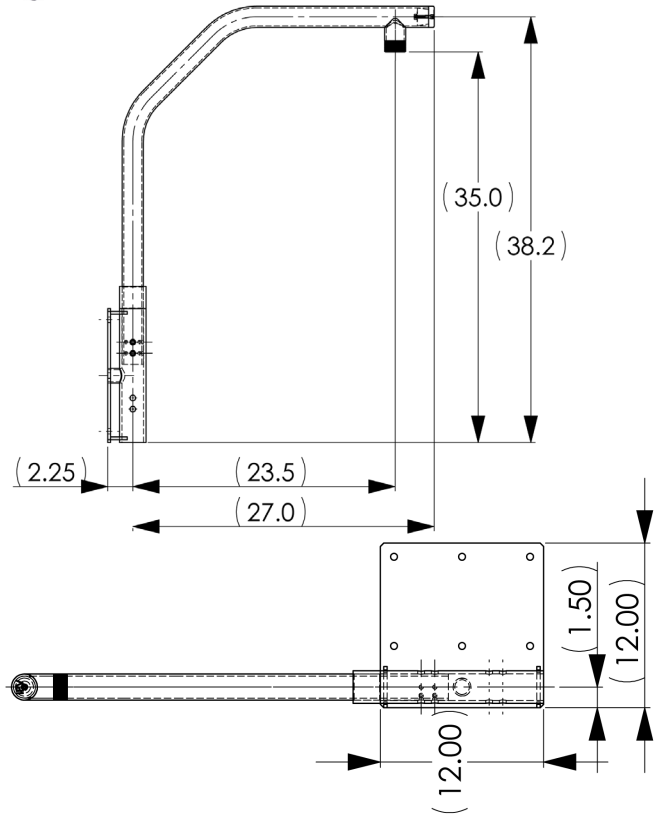
Mount to structure wall or parapet utilizing most manufacturer's 1 1/2 inch pipe thread pendent style domes.

### Shipping Specifications

Model	Part Number	Unit Weight	Shipping Weight
24"	IPV-0045-T-80	5 lbs	6 lbs

### Product Attributes

Body Construction	Aluminum
Environment	Outdoor
Mount Style	Roof / Wall
RoHS	Yes
WEEE	Yes



\*Product specifications are subject to change without notice.