

Overview

The IPVision Adjustable Base Parapet Mount is for multiple locations. The mount can be located on surfaces that are at odd angles such as pitched roofs, angled soffits or lofted ceilings. The multiple angle articulation simplifies camera aiming and makes the mount simple to install. It is designed to withstand harsh environments and can be customized with a variety of finishes to suit customer requirements.

Key Features

- Designed to Simplify Camera Aiming
- 50 lb. load rating
- All aluminum/Steel construction
- Epoxy painted per Mil-P-53022-Type 1
- Versatile Installation Option

Applications

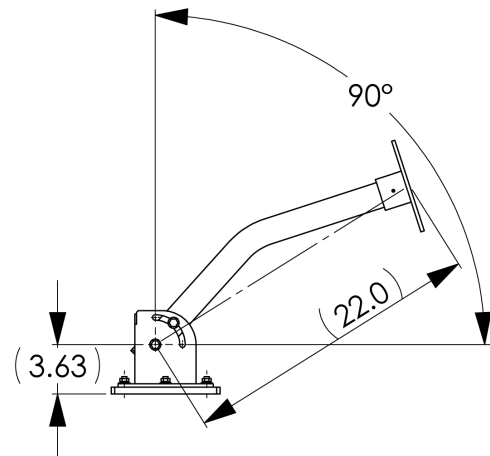
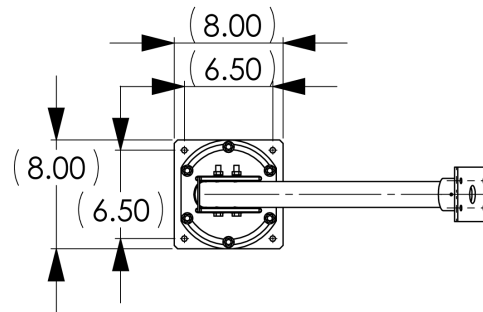
Rooftop, wall or ceiling locations either indoor or outdoor.
Rugged design for indoor/outdoor applications.

Shipping Specifications

Part Number	Unit Weight	Shipping Weight
IPV-0195-T-80	8 lbs	13 lbs

Product Attributes

Body Construction	Aluminum/Stainless Steel
Environment	Indoor/Outdoor
Mount Style	Rooftop, Wall or Ceiling
RoHS	Yes
WEEE	Yes



*Product specifications are subject to change without notice.