

Overview

IPVision's Conduit Connector is designed to terminate a conduit into an IPVision mounting plate. Adapts to 1/2" and 3/4" conduit.

Key Features

- Adapter
- Aluminum construction with steel insert
- Epoxy painted per Mil-P-53022-Type 1
- 1/2" and 3/4" sizes

Applications

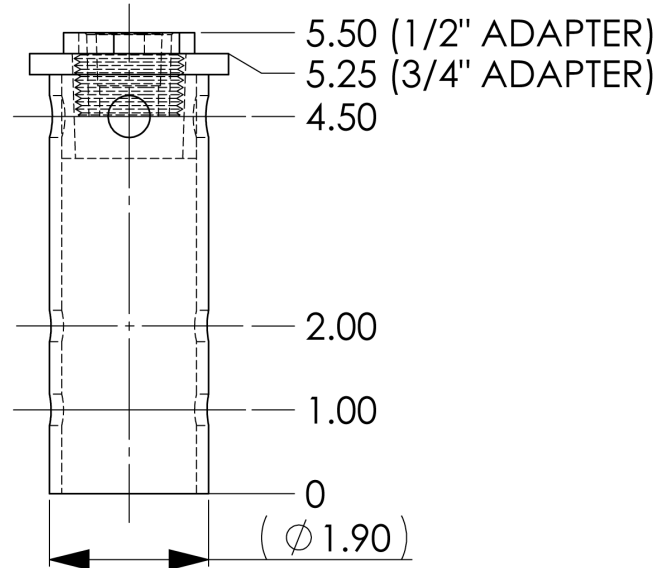
Use with all IPVision parapet mounts to adapt 1/2" or 3/4" conduit.

Shipping Specifications

Model	Part Number	Unit Weight	Shipping Weight
1/2"	IPV-0030-T-80-1	0.6 lbs	1 lbs
3/4"	IPV-0030-T-80-2	0.6 lbs	1 lbs

Product Attributes

Body Construction	Aluminum w/ Steel insert
Environment	Outdoor/ Indoor
RoHS	Yes
WEEE	Yes



*Product specifications are subject to change without notice.