

### Overview

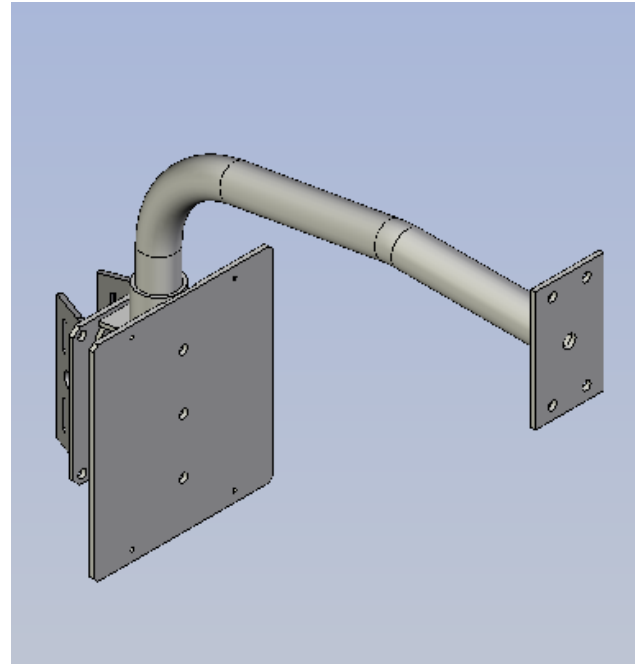
IPVision's dotworkz Pole Mount is designed to be mounted to a lamp pole or structural post. Flat mounting surface accepts all dotworkz cooldome series enclosures.

### Key Features

- 100 lb. load rating
- All aluminum construction
- Epoxy painted per Mil-P-53022-Type 1

### Applications

Mount to lamp pole or structural post for use with a dotworkz cooldome series enclosures.

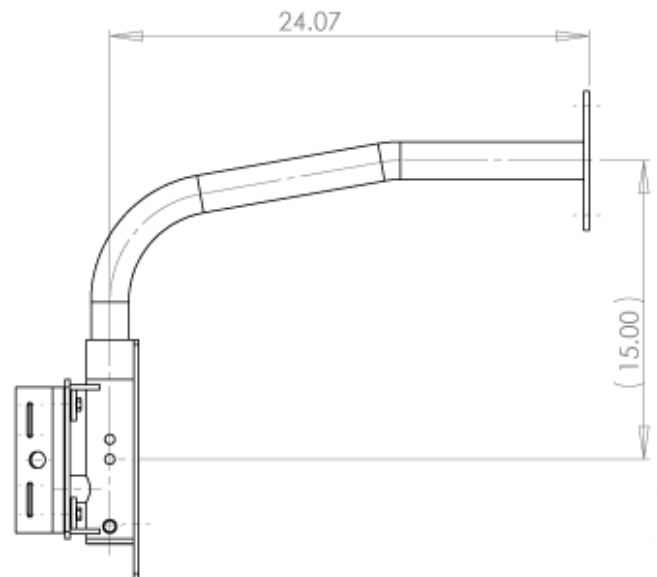


### Shipping Specifications

Part Number	Unit Weight	Shipping Weight
IPV-0095-T-80	15.4 lbs	17 lbs

### Product Attributes

Body Construction	Aluminium
Environment	Outdoor
Mount Style	Pole
RoHS	Yes
WEEE	Yes



\*Product specifications are subject to change without notice.