

Overview

IPVision's Mid-size Mounting Plate is designed to be mounted to roof top parapets and/or structure wall to receive Dotworkz DL series mount and pendulum mount poles.

Key Features

- 100 lb. load rating
- All aluminum construction
- Epoxy painted per Mil-P-53022-Type 1

Applications

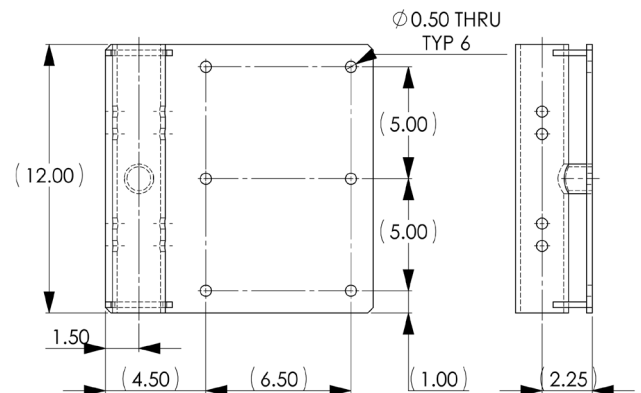
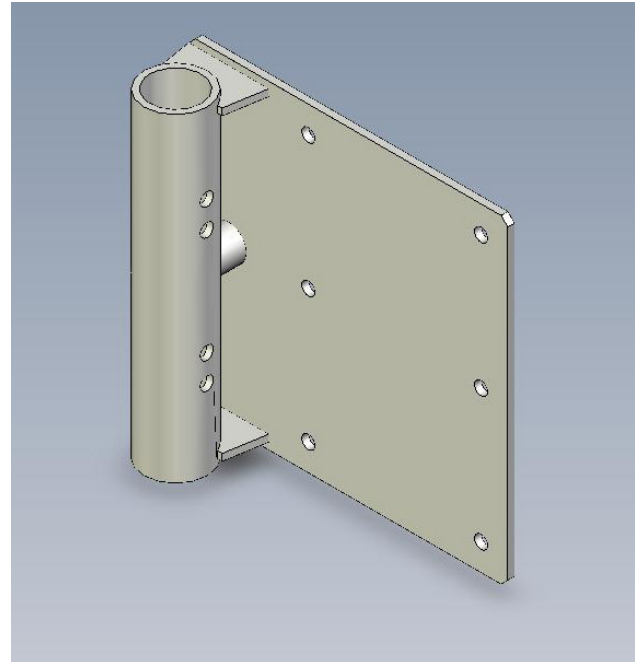
Mount to structure wall or parapet

Shipping Specifications

Part Number	Unit Weight	Shipping Weight
IPV-0075-T-80	5.4 lbs	6.5 lbs

Product Attributes

Body Construction	Aluminum
Environment	Outdoor
Mount Style	Roof
RoHS	Yes
WEEE	Yes



*Product specifications are subject to change without notice.