

Overview

IPVision's Offset Extension offers a 6 inch offset to clear obstructions and is designed to integrate with virtually all mounts from major manufacturers.

Key Features

- 6 Inch offset
- All aluminum construction
- Epoxy painted per Mil-P-53022-Type 1

Applications

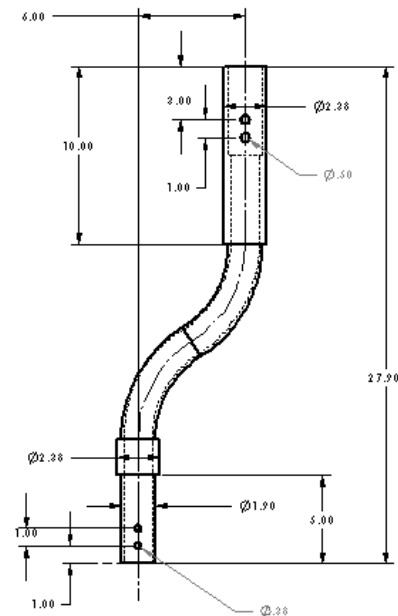
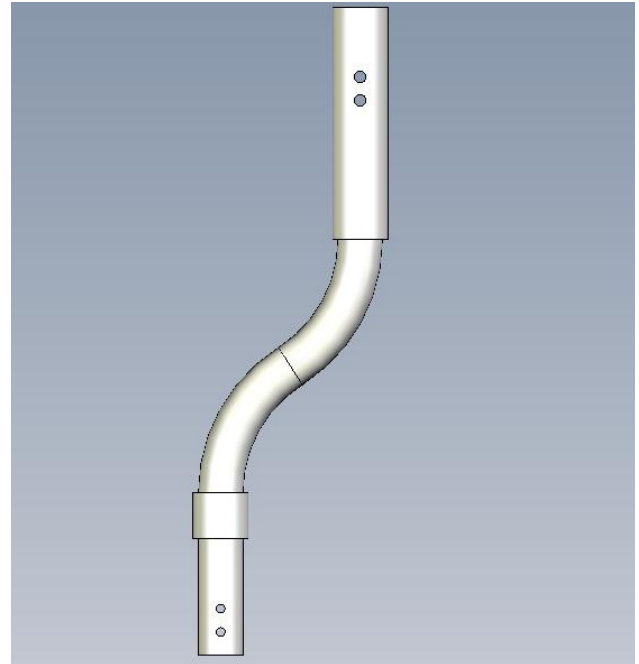
Use with all IP Vision parapet mounting systems to extend and offset camera position.

Shipping Specifications

Part Number	Unit Weight	Shipping Weight
IPV-0035-T-80	3.8 lbs	5 lbs

Product Attributes

Body Construction	Aluminium
Environment	Outdoor/ Indoor
Mount Style	Roof / Wall
RoHS	Yes
WEEE	Yes



*Product specifications are subject to change without notice.