

### Overview

IPVision's Post Mount is designed to be mounted to a light pole or post, to allow an additional extension mount or Dotworkz camera to be mounted.

### Key Features

- 100 lb. load rating
- All aluminum construction
- Epoxy painted per Mil-P-53022-Type 1

### Applications

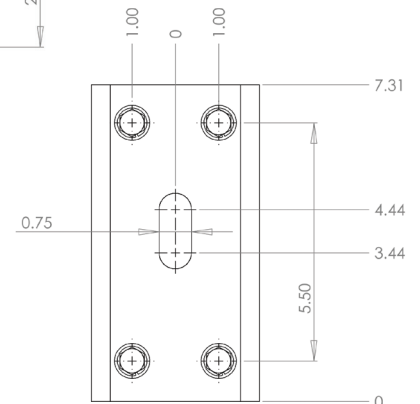
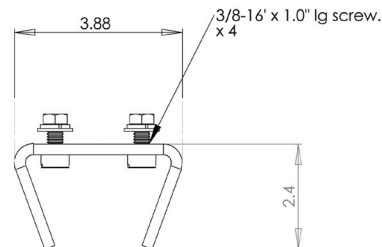
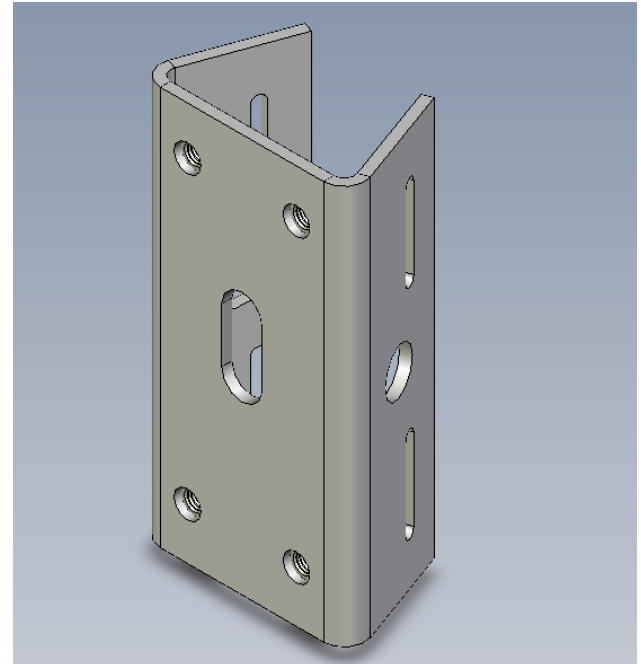
Mount to structural post or pole utilizing two banding straps each with a minimum 150 lbs load rating. A minimum pole diameter 4" and maximum of 18" can be used.

### Shipping Specifications

Model	Unit Weight	Shipping Weight
IPV-0020-T-80	1.5 lbs	3 lbs

### Product Attributes

Body Construction	Aluminium
Environment	Indoor/Outdoor
Mount Style	Pole
RoHS	Yes
WEEE	Yes



\*Product specifications are subject to change without notice.