

Overview

The IPVision Two Camera Sled Mount is for rooftop, corner locations. The mount supports two cameras at 90 degrees from each other to scan over two adjacent walls. The multiple component break-down makes the mount simple to install. With cinder block ballast, the mount weights 670 lbs and exerts less than 42 lbs/sqft load on the rooftop. It is designed to withstand harsh environments and can be customized with a variety of finishes to suit customer requirements.

Key Features

- 100 lb. Load Rating
- All Steel Construction
- Easily Relocated Without Special Tools
- Epoxy painted per Mil-P-53022-Type 1 or custom
- Versatile Installation Options

Applications

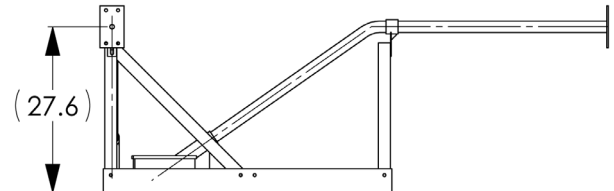
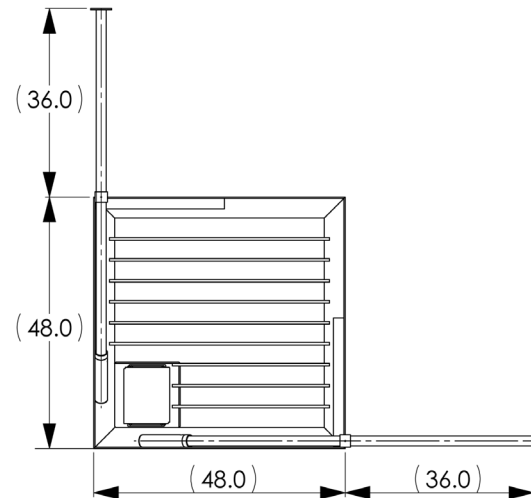
Rooftop corner mount for two cameras scanning adjacent walls.
Rugged design for outdoor applications.

Shipping Specifications

Model	Part Number	Unit Weight	Shipping Weight
unit	IPV-0175-T-80	205 lbs	235 lbs
	Ballast	+465lbs	N/A

Product Attributes

Body Construction	Cold Rolled Steel
Environment	Outdoor
Mount Style	Roof
RoHS	Yes
WEEE	Yes



*Product specifications are subject to change without notice.