

Overview

IPVision's Standard Mount Plate is designed to be mount to roof top parapets and/or structure wall to receive Dotworkz and pendulum mount poles.

Key Features

- 50 lb. load rating
- All aluminum construction
- Epoxy painted per Mil-P-53022-Type 1

Applications

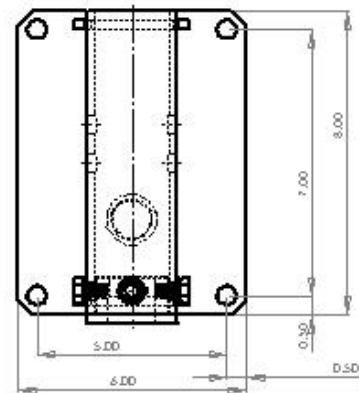
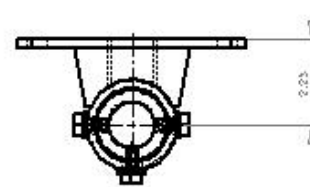
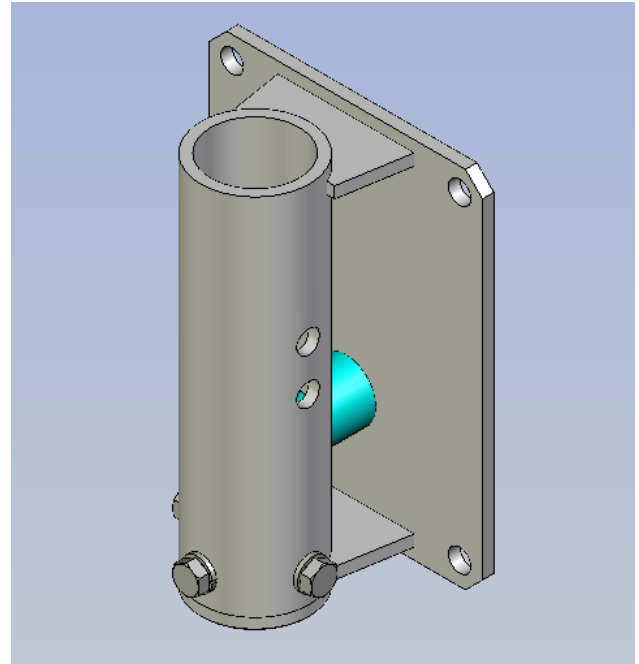
Mount to structure wall or parapet

Shipping Specifications

Part Number	Unit Weight	Shipping Weight
IPV-0065-T-80	2.8 lbs	4 lbs

Product Attributes

Body Construction	Aluminium
Environment	Outdoor
Mount Style	Roof
RoHS	Yes
WEEE	Yes



*Product specifications are subject to change without notice.